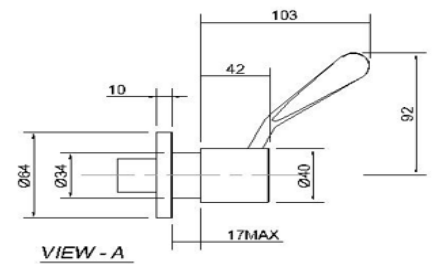
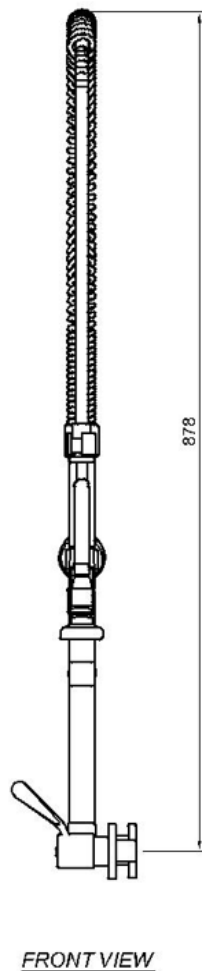
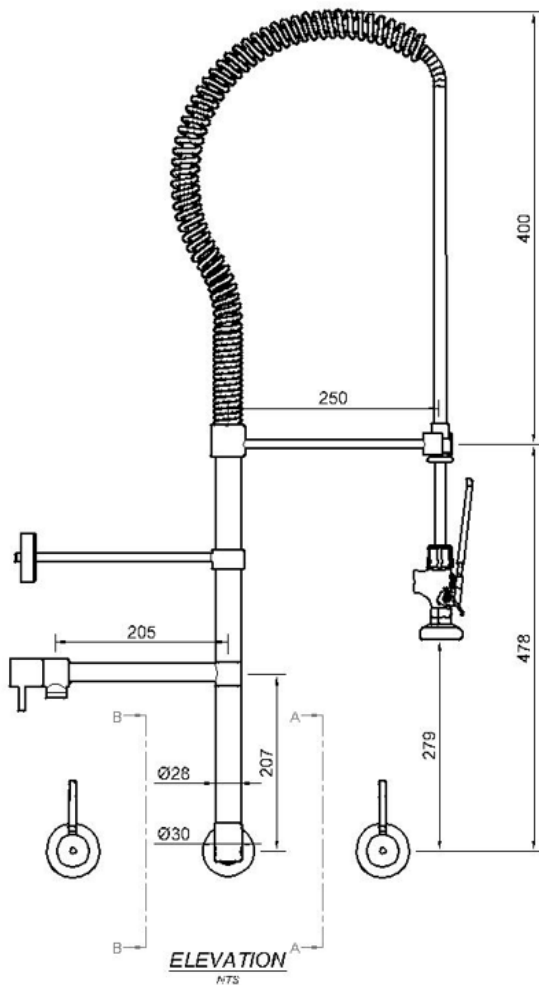
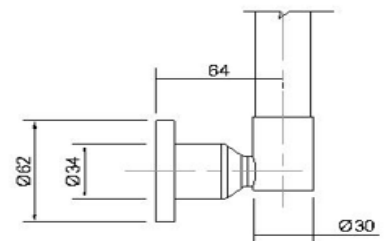




FIVE YEAR ON-SITE WARRANTY



VIEW - A



VIEW - B

FEATURES INCLUDE:

Wall Mount Pre Rinse

Complete with wall bracket,

256mm Add on swing faucet

1/4 turn 100mm lever operated ceramic disc taps

6 Star rated spray gun

4 Star rated pot filler

Three hole mount

Hose length 845mm and Height 713mm

Operating water pressure Min 50kPA, Max 350kPA