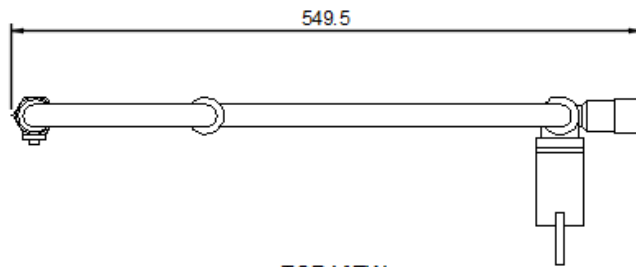
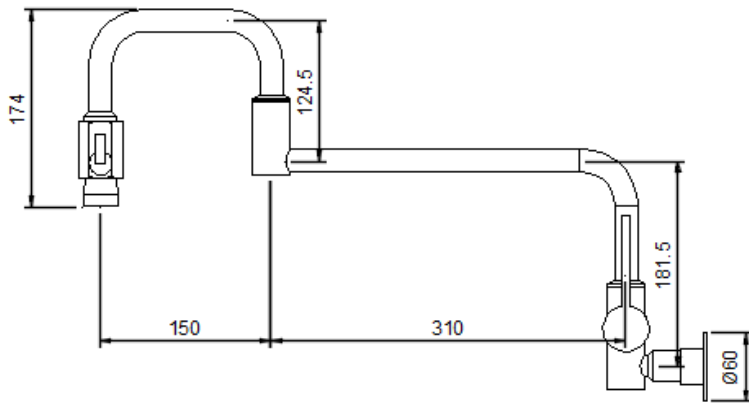




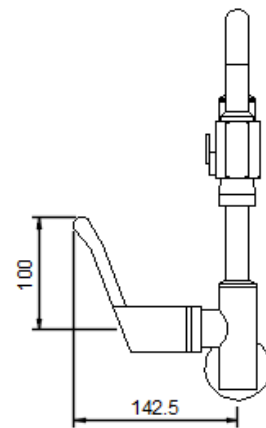
FIVE YEAR ON-SITE WARRANTY



TOP VIEW



SIDE VIEW
NTS



FRONT VIEW

FEATURES INCLUDE:

Wall Mounted

Double jointed

Spout on-off control Tap

Premium Pot filler with 457mm swing arm

4 Star rating

Operating water pressure Min 150kPA, Max 500kPA

The **Jetstream** range of quality tapware and prerinse units heralds a new era of reliable, quality tapware to the Australian market with an industry leading FIVE YEAR on-site parts and labour warranty* – designed by professionals with the features you would expect for your kitchen.