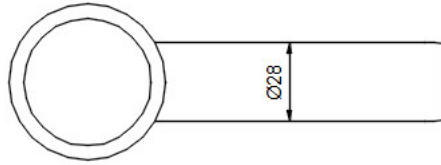
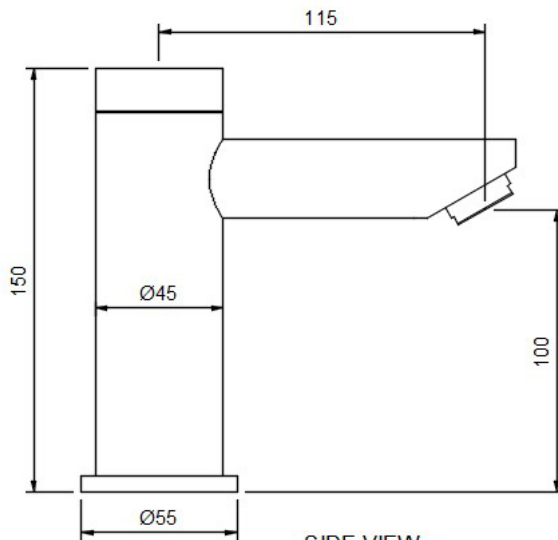




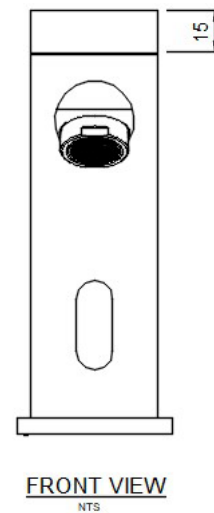
FIVE YEAR ON-SITE WARRANTY



TOP VIEW



SIDE VIEW



FEATURES INCLUDE:

- Modern Deck Mounted Hands Free Sensor
- Single hole mount
- Complete with flexible fittings
- Downward facing sensor
- Mains and battery backup,
- Includes one connection tail and hardware
- 6 Star rating
- Operating water pressure Min 50kPA, Max 500kPA

The **Jetstream** range of quality tapware and prerinse units heralds a new era of reliable, quality tapware to the Australian market with an industry leading FIVE YEAR on-site parts and labour warranty* – designed by professionals with the features you would expect for your kitchen.