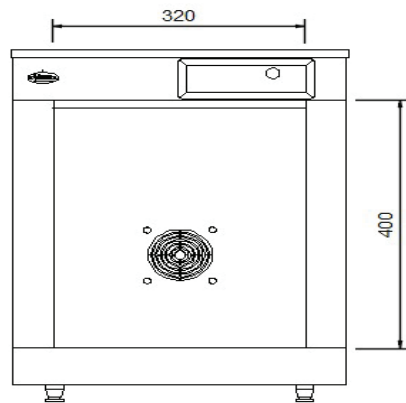
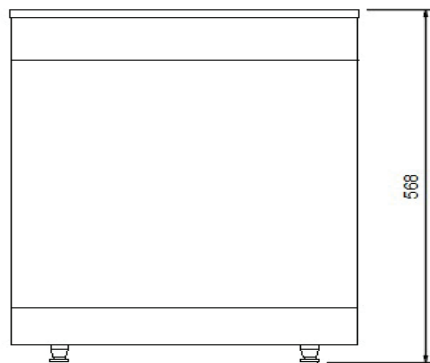


**TOP VIEW**



**FRONT VIEW**  
NTS



**SIDE VIEW**

The Hatco Plate Warmers are designed to hold preheated serving plates where customers can access them easily. Serving hot food on preheated plates will help extend the holding times of most foods. The Hatco Plate Warmer has an open design for easy retrieval and loading and adds to a better customer experience. More importantly, it is easy to clean and is available as Built-In or Countertop models that can be wall mounted.

**STANDARD FEATURES**

- Doorless design has a heated air curtain system
- Either model can be daisy-chained,
- Each unit holds up to 25 plates up to 12" (305 mm) in diameter
- Digital temperature control with an adjustable range of 40° - 50°C has a cover panel designed to avoid accidental touch
- Energy efficient LED lighting illuminates the interior from the top
- Stainless Steel as standard for durability and Powdercoated Designer Black
- Ships with power On/Off switch, detached 1829 mm power cord, a 1000 mm jumper cord and a wall-mounting kit

**SPECIFICATION**

Dimensions	427W x 441D x 568Hmm
Opening Dimensions	320W x 400Hmm
Weight	29Kgs
Output Power	4.63 Kw, 240 Volts
Power Source	Supplied with 10amp plug. 829mm power cord