



# Drop-In Round Uninsulated Heated Wells

Models:

HWB-4QT, -4QTD, -7QT, -7QTD, -11QT, -11QTD

HWBH-7QT, -7QTD, -11QT, -11QTD

Hatco Drop-In Round Heated Wells provide flexibility and quality, with many options to choose from. These units hold steam table food hot and fresh with self-adjusting thermostats that monitor the actual temperatures and control the heat only when needed.

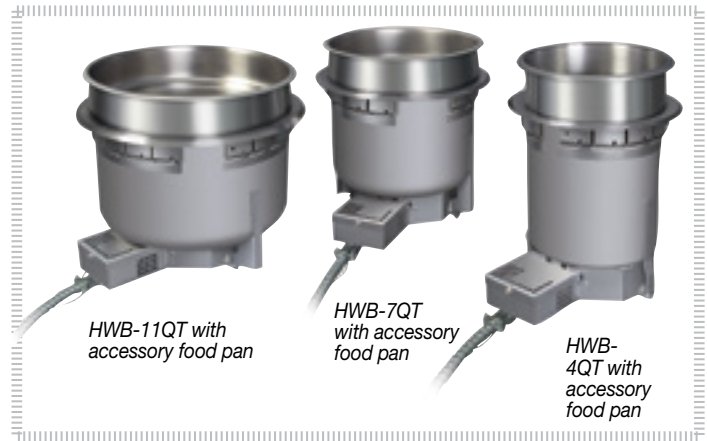
## Standard features

- Available in 4-, 7- and 11-quart (4-, 7- and 10-liter) round wells
- Standard or high watt (4-quart [4-liter] standard watt only)
- Controls feature a separate lighted ON/OFF rocker switch and temperature dial, allowing preset temperatures to be maintained
- Available with a 50% larger drain (¾" NPT) with flat screen simplifies cleaning and holds pans level
- Easy service access to heating elements and thermostats
- EZ locking hardware for quick installation
- Wells are designed for both WET or DRY operation
- An optional WM Control Assembly is also available that will replace most existing controls on a customer's Drop-In Heated Well unit

Project \_\_\_\_\_

Item # \_\_\_\_\_

Quantity \_\_\_\_\_



## Options (available at time of purchase only)

- Additional High Temp Power Supply Lead Wire available in one foot (305 mm) increments (Lead wire only – the lead wire extensions beyond the standard 3' conduit whip) **Models are shipped standard with 1' [305 mm] of lead wire extensions**
- Flexible Conduit between the control and the Round Heated Well
  - Standard Flexible Conduit, 36" (914 mm)
  - Flexible Conduit, 72" (1829 mm)
- HWB-4, -7, -11QT with Optional Cord (In lieu of conduit and lead wire, 120V only,)
- Thermostat with 6' (1829 mm) Capillary
- Control Box Assembly
  - Compact (Standard Control - Front mounted [Not for export voltages])
  - Larger Recessed Thermostatic (Standard for export voltages)
  - WM Control (Not for export voltages)
  - ITC Electronic Control (Not for 4-Quart [4-liter] Round Wells)
- Control Box Bezel in *Designer Colors* (Option is not available for Auto-fill or for any unit with the Optional Cord, Nonstandard colors are non-returnable, Stainless Steel standard)
  - Warm Red     Black     Gray Granite     White Granite
  - Navy Blue     Hunter Green     Antique Copper

## Accessories

- Mounting Kit for Combustible Countertops (All Models) – no conduit
- Round Food Pans
  - 4-Quart (4-Liter)     7-Quart (7-Liter)     11-Quart (10-Liter)
- Notched Lids
  - 4-Quart (4-Liter)     7-Quart (7-Liter)     11-Quart (10-Liter)
- Hinged Lids
  - 4-Quart (4-Liter)     7-Quart (7-Liter)     11-Quart (10-Liter)
- Units with Drains
  - ¾" NPT Ball     ¾" Gate Valve
- Kit allows Mounting to Thick Countertops - 4 Brackets

IFS anti-microbial coatings use naturally-occurring, environmentally sustainable, silver ions to help inhibit the growth of microbes on the powder coated surface. See [www.hatcocorp.com/antimicrobial-paint](http://www.hatcocorp.com/antimicrobial-paint) for more information.

For operation, location and safety information, please refer to the Installation and Operating Manual.



ANSI/NSF 4



CE Not available for HWB-7, -11 QT with ITC Controls





# Drop-In Round Uninsulated Heated Wells

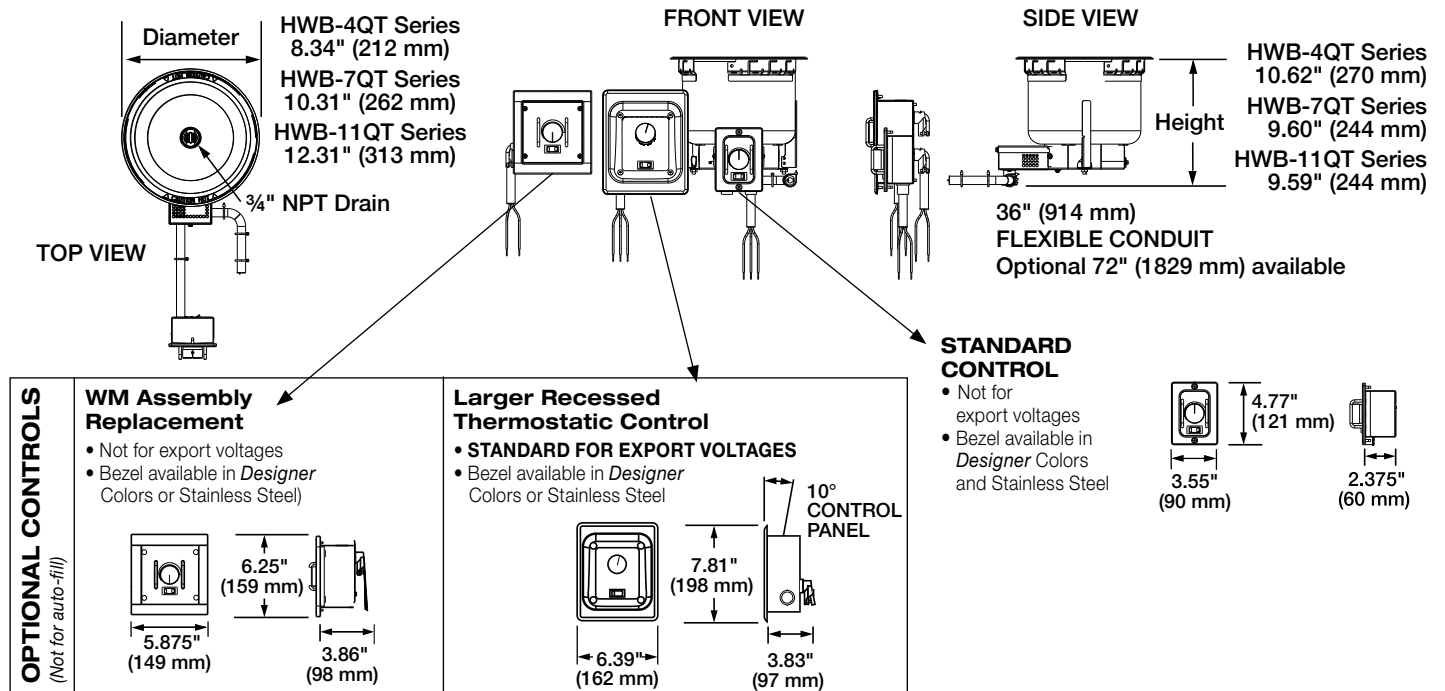
Models: HWB-4QT, -4QTD, -7QT, 7-QTD, 11QT, -11QTD  
 HWBH-7QT, -7QTD, -11QT, -11QTD

## Ordering Instructions

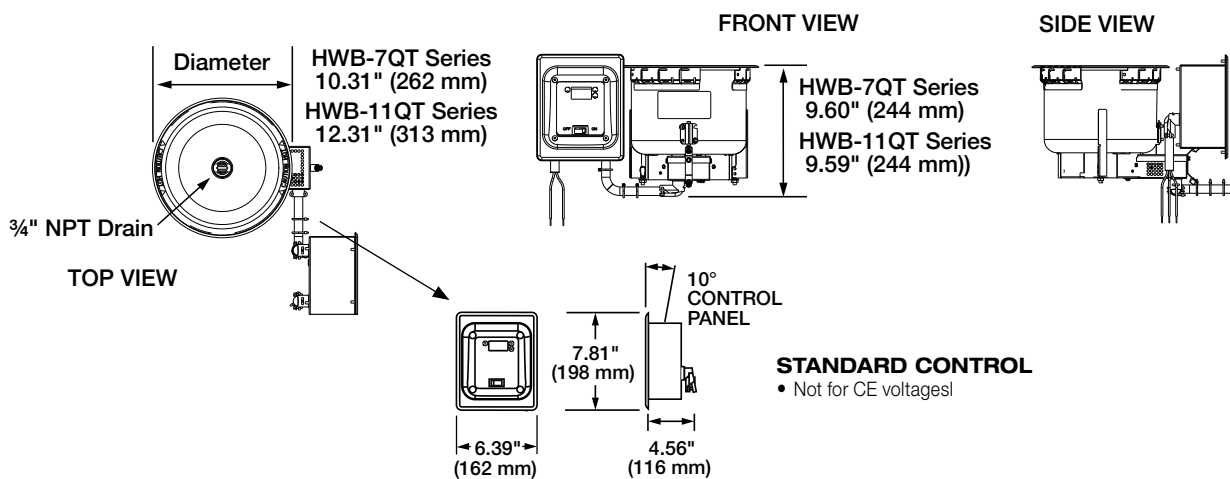
(Please specify the following with each order)

1. **Desired Voltage:** See chart on page 3 or 4
2. **Base Size of Heated Well:**
  - A. Round: 4-Quart (4-Liter), 7-Quart (7-Liter) or 11-Quart (10-Liter)
3. **Choose With or Without Drain**
4. **Mounting Style** (Top Mounted)
  - A. Non-Combustible Countertop
  - B. Combustible Countertop requires accessory Mounting Kit
5. **Wattage:**
  - A. High Watt
  - B. Standard Watt (4-Quart [4-Liter] available in standard watt only)
6. **Agency:**
  - A. UL and CUL
  - B. UL-EPH (sanitary listing)
  - C. CE Mark available on standard and high watt units

### HWB-4QT, -7QT, -11QT Series (HWB-7QT shown) Uninsulated, with Standard and Optional Controls



### HWB-7QT, -11QT Series (HWB-7QT shown) Uninsulated, with ITC Controls

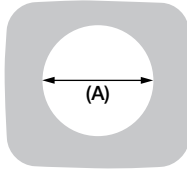




# Drop-In Round Uninsulated Heated Wells

Models: HWB-4QT, -4QTD, -7QT, 7-QTD, 11QT, -11QTD  
 HWBH-7QT, -7QTD, -11QT, -11QTD

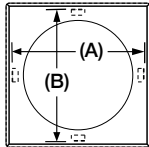
Non-Combustible  
 Countertop  
 Opening  
 ("Circular" cut-out)



### Cutout Dimensions for Non-Combustible Countertop

Model	Minimum Diameter (A)	Maximum Diameter (A)
HWB-4QT	Ø 7.125" (181 mm)	Ø 7.56" (192 mm)
HWB-7QT	Ø 9.125" (232 mm)	Ø 9.56" (242 mm)
HWB-11QT	Ø 11.125" (283 mm)	Ø 11.56" (293 mm)

Combustible  
 Countertop  
 Opening  
 ("Square" cut-out)



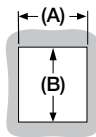
### Cutout Dimensions for Combustible Countertops ▲

Model	Minimum Width (A)	Maximum Width (A)	Minimum Depth (B)	Maximum Depth (B)
HWB-4QT	9" (229 mm)	9.25" (235 mm)	9" (229 mm)	9.25" (235 mm)
HWB-7QT	11" (279 mm)	11.25" (286 mm)	11" (279 mm)	11.25" (286 mm)
HWB-11QT	13" (330 mm)	13.25" (337 mm)	13" (330 mm)	13.25" (337 mm)

▲ Accessory Mounting Kit required

## Control Boxes

Control Box Opening  
 (Larger Recessed  
 Thermostatic shown)



### Cutout Dimensions for Control Boxes

Control Box	Width (A)	Height (B)	Export Voltage
Standard Thermostatic	3.25" (83 mm)	3.75" (95 mm)	Not available
Optional Larger Recessed Thermostatic	5.875" (149 mm)	6.375" (162 mm)	Standard
Optional ITC Electronic (not available for 4-QT [4-Liter])	5.81" (148 mm)	6.27" (159 mm)	Optional
Optional WM Assembly Replacement	4.78" (121 mm)	5.00" (127 mm)	Not available

## SPECIFICATIONS Drop-In Round Uninsulated Wells

The shaded areas contain electrical information for International models only

	Model	Dimensions (Diameter x Height)	Volts	Phase	Watts	Amps	Optional Plug Hardwired Standard	Control Configuration*		Approx. Ship Weight
								Standard	Optional	
Standard Watt	HWB-4QT HWB-4QTD*	8.34" x 10.62" (212 x 267 mm)	120	Single	500	4.2	NEMA 5-15P	Compact Thermostatic	WM or Larger Recessed Thermostatic Controls	11 lbs. (5 kg) 10 lbs. (5 kg)
			208		536	2.6	Not Available			
			240		600	2.5				
			220		600	2.7	Not Available	Larger Recessed Thermostatic	Not Available	
			220-230 (CE)							
			240							
	230-240 (CE)	2.5								
	HWB-7QT HWB-7QTD*	10.31" x 9.60" (262 x 244 mm)	120	Single	500	4.2	NEMA 5-15P	Compact Thermostatic	WM or Larger Recessed Thermostatic Controls	12 lbs. (6 kg) 12 lbs. (6 kg)
			208		536	2.6	Not Available			
			240		600	2.5				
			220		600	2.7	Not Available	Larger Recessed Thermostatic	Not Available	
			220-230 (CE)							
240										
230-240 (CE)	2.5									
With ITC Electronic Control	10.31" x 9.60" (262 x 244 mm)	120	Single	500	4.2	NEMA 5-15P	ITC Electronic Control	Not Available	Not Available	
		208		536	2.6	Not Available				
		240		600	2.5					
		220		600	2.7	Not Available	Non CE only: ITC Electronic Control	Not Available		
		240								
		240								

\*"D" added to model number indicates drain equipped.



# Drop-In Round Uninsulated Heated Wells

Models: HWB-4QT, -4QTD, -7QT, 7-QTD, 11QT, -11QTD  
HWBH-7QT, -7QTD, -11QT, -11QTD

## SPECIFICATIONS

### Drop-In Round Uninsulated Wells

The shaded areas contain electrical information for International models only

	Model	Dimensions (Diameter x Height)	Volts	Phase	Watts	Amps	Optional Plug Hardwired Standard	Control Configuration*		Approx. Ship Weight
								Standard	Optional	
Standard Watt	HWB-11QT HWB-11QTD*	12.31" x 9.59" (313 x 244 mm)	120	Single	500	4.2	NEMA 5-15P	Compact Thermostatic	WM or Larger Recessed Thermostatic Controls	13 lbs. (6 kg) 14 lbs. (6 kg)
			208		536	2.6	Not Available			
			240		600	2.5				
			220		600	2.7	Not Available	Larger Recessed Thermostatic	Not Available	
			220-230 (CE)							
			230							
	230-240 (CE)	2.5								
	With ITC Electronic Control	12.31" x 9.59" (313 x 244 mm)	120	500	4.2	NEMA 5-15P	ITC Electronic Control	Not Available		
			208	536	2.6	Not Available				
			240	600	2.5					
			220	600	2.7	Not Available	Non CE only: ITC Electronic Control	Not Available		
			240						2.5	
High Watt	HWBH-7QT HWBH-7QTD*	10.31" x 9.60" (262 x 244 mm)	120	Single	800	6.7	NEMA 5-15P	Compact Thermostatic	WM or Larger Recessed Thermostatic Controls	12 lbs. (6 kg)
			208		715	3.4	Not Available			
			240		800	3.3				
			220		800	3.6	Not Available	Larger Recessed Thermostatic	Not Available	
			220-230 (CE)							
			240							
	230-240 (CE)	3.3								
	With ITC Electronic Control	10.31" x 9.60" (262 x 244 mm)	120	800	6.7	NEMA 5-15P	ITC Electronic Control	Not Available		
			208	715	3.4	Not Available				
			240	800	3.3					
			220	800	3.6	Not Available	Non CE only: ITC Electronic Control	Not Available		
			240						3.3	
	HWBH-11QT HWBH-11QTD*	12.31" x 9.59" (313 x 244 mm)	120	Single	800	6.7	NEMA 5-15P	Compact Thermostatic	WM or Larger Recessed Thermostatic Controls	13 lbs. (6 kg) 13 lbs. (6 kg)
			208		715	3.4	Not Available			
			240		800	3.3				
			220		800	3.6	Not Available	Larger Recessed Thermostatic	Not Available	
			220-230 (CE)							
			240							
		230-240 (CE)	3.3							
		With ITC Electronic Control	12.31" x 9.59" (313 x 244 mm)	120	800	6.7	NEMA 5-15P	ITC Electronic Control	Not Available	
				208	715	3.4	Not Available			
				240	800	3.3				
				220	800	3.6	Not Available	Non CE only: ITC Electronic Control	Not Available	
240				3.3						

\*\*D" added to model number indicates drain equipped.

## PLUG CONFIGURATIONS (Optional)

NEMA 5-15P

