



# ELECTRICAL COMBINED VEGETABLE SLICER / FOOD PROCESSOR WITH VARIABLE SPEED AND CONTROL PANEL

Ref. : CL322

- ✓ COMBINED VEGETABLE SLICER / FOOD PROCESSOR 1100 W.
- ✓ VOLTAGE 220 - 240 V / SINGLE-PHASED.
- ✓ CONTROL PANEL.
- ✓ VARIABLE SPEED : VEGETABLE SLICER FUNCTION FROM 320 R.P.M. TO 720 R.P.M. AND FOOD PROCESSOR FUNCTION FROM 350 R.P.M. TO 3500 R.P.M.

#### VEGETABLE SLICER :

- ✓ STAINLESS STEEL PUSHER HANDLE.
- ✓ DELIVERED WITHOUT DISC.

#### FOOD PROCESSOR :

- ✓ 5.4 LITRES STAINLESS STEEL BOWL (RATED CAPACITY) / 4.3 LITRES (OPERATING CAPACITY).
- ✓ SMOOTH EDGED BLADE (AS STANDARD).



## ADVANTAGES

- French design and manufacture, guaranteed quality, robustness and reparability - The DYNAMIC vegetable slicer / food processor is easily disassembled, repairable and reassembled. DYNAMIC guarantees the immediate availability of spare parts.
- Thanks to its unique design, this is an extremely versatile and aesthetic device. The design is based on users' real needs: the use of first quality materials (stainless steel), thought-out ergonomics, details and tips guaranteeing hygiene and safety (patent pending).
- A product designed with sustainable development in mind – 80% of the materials used are made from stainless steel and aluminium.



VARIABLE SPEED  
WITH CONTROL PANEL

## DESCRIPTION

- An induction motor, integrated in the metal motor block, with a power of 1100W and a single-phased power supply of 220 - 240 V . Easy to use control panel.
- All parts in contact with food are easily removable and dishwasher-proof for quick cleaning.
- Magnetic detection which prevents the appliance from starting if an anomaly is detected. The appliance stops as soon as it detects any type of inappropriate use.

## DESCRIPTION

### VEGETABLE SLICER FUNCTION

- Universal vegetable slicer with a large choice of stainless steel discs. All parts in contact with food are easily removable and dishwasher-proof for quick cleaning: cutting chamber, pusher, hopper and pusher handle. Thought-out ergonomics, the device is designed to be used by both left-and right-handed.
- Two hoppers to adapt to all types of vegetables: a wide hopper of 217 cm<sup>2</sup> for bulky vegetables such as cabbage, celeriac and a cylindrical hopper of Ø 60.5 mm for long and delicate vegetables (zucchini, cucumbers). A side food chute with a 20 cm passage to install a deep GN collection container (20 cm).
- Optional stainless steel discs, dishwasher-proof.

### FOOD PROCESSOR FUNCTION

- Food processor for mixing, emulsifying, blending and chopping in a few seconds. Variable speed from 350 to 3500 rpm. PULSE and REVERSE functions. 5.4 litres stainless steel bowl (rated capacity) + Copolyester Tritan lid, equipped with an integrated manual scraper arm to avoid waste and for improved blending. Quick release system with clip fasteners (patent pending). Ability to add ingredients during preparation without opening the lid.
- WORKING CAPACITY: from 100g to 4kg.
- Supplied with a smooth edged blade with inverted cutters, enables you to save time and helps preserve organoleptic properties (patented system).

## CONSTRUCTION

- An induction motor, integrated in the motor block, ensuring robustness and reliability over time.
- Integrated air vents on the motor unit for good engine ventilation.
- Extremely solid base.
- POWER: 1100 W
- VOLTAGE : 220 - 240 V / SINGLE-PHASED.
- SPEED : vegetable slicer function from 320 rpm to 720 rpm and food processor function from 350 to 3500 rpm.
- Easy and quick to dismantle accessories without tools (patent pending).
- 5.4 litres Stainless steel bowl (rated capacity) or an operating capacity of 4.3 Litres.
- Copolyester Tritan lid without BPA (Bisphenol A).

## MAIN CHARACTERISTICS OF THE VEGETABLE SLICER

- Capacity up to 300 kg/h, suitable for as much as 400 covers per service.
- Capable of grating, slicing, cutting fruits and vegetables.
- Ergonomic, ambidextrous, stainless steel pusher handle.
- All parts in contact with food are removable without tools and are dishwasher-proof.
- Easy-to-use waterproof control panel with on/off button, speed adjuster (5 speed levels).
- Very practical side disposal, without projection, enabling the use of deep collection containers.
- Automatic start the with the pusher-handle.
- Automatic magnetic detection for total operator safety.
- Wide choice of stainless steel discs with a diameter of 225 mm (optional).

## MAIN CHARACTERISTICS OF THE FOOD PROCESSOR

- Food processor mixer, robust and reliable emulsifier for grinding, chopping, emulsifying and kneading.
- Supplied with a standard scraper arm.
- Adapted productivity for 20 to 100 covers per service.
- Removable, transparent lid with opening to add ingredients during preparation.
- All parts in contact with food are easily removable and dishwasher-proof.
- Easy-to-use waterproof control panel with on/off button, speed adjuster (10 speed levels) and "PULSE" and "REVERSE" functions. The "PULSE" function enables grinding and precision work, the "REVERSE" function enables gentle mixing and preserves the added ingredient entirely.
- Automatic magnetic detection on the stainless steel bowl and lid for total operator safety.

## ACCESSORIES INCLUDED

### VEGETABLE-SLICER MODE

- 1 x food ejector.

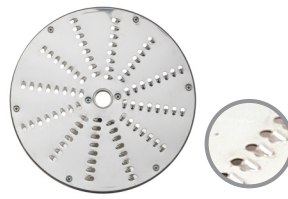
### FOOD PROCESSOR MODE

- 1 x stainless steel bowl with a capacity of 5.4 litres.
- 1 x lid with integrated wiper for 5.4 litres stainless steel bowl.
- 1 x smooth edged blade food processor.

## OPTIONAL ACCESSORIES VEGETABLE-SLICER MODE



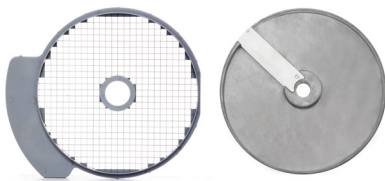
SLICING DISC



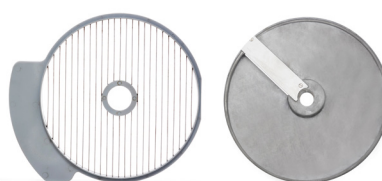
GRATING DISC



JULIENNE DISC



DICING KIT



FRENCH FRIES KIT



VEGETABLE SLICER KIT



- **CL1005**  0,5MM SLICING DISC
- **CL1015**  1,5MM SLICING DISC
- **CL1025**  2,5MM SLICING DISC
- **CL1030**  3MM SLICING DISC
- **CL1040**  4MM SLICING DISC
- **CL1050**  5MM SLICING DISC
- **CL1070**  7MM SLICING DISC
- **CL1080**  8MM SLICING DISC
- **CL1090**  9MM SLICING DISC
- **CL1110**  11MM SLICING DISC
- **CL1120**  12MM SLICING DISC
- **CL1130**  13MM SLICING DISC

- **CL2002**  2MM GRATING DISC
- **CL2003**  3MM GRATING DISC

- **CL2005**  5MM GRATING DISC
- **CL2009**  9MM GRATING DISC

- **CL3032**  3X2MM JULIENNE DISC
- **CL3042**  4X2MM JULIENNE DISC
- **CL3044**  4X4MM JULIENNE DISC
- **CL3055**  5X5MM JULIENNE DISC
- **CL3052**  5X2MM JULIENNE DISC
- **CL3088**  8X8MM JULIENNE DISC

- **CL4008**  DICING KIT 8X8MM

- **CL5008**  FRENCH FRIES KIT 8X8MM

## OPTIONAL ACCESSORIES FOOD PROCESSOR MODE

- CL8002 :  
SERRATED BLADE  
FOOD PROCESSOR  
FOR GRINDING,  
FOR HERBS, SPICES,  
PASTRY...



- CL9001 :  
COMPLETE FOOD  
PROCESSOR KIT :  
BOWL, LID AND  
SMOOTH BLADE.



## TECHNICAL SPECIFICATIONS

### GENERAL INFORMATION

#### VEGETABLE SLICER DIMENSIONS

WIDTH	400 mm
HEIGHT	475 mm
DEPTH	505 mm

#### FOOD PROCESSOR DIMENSIONS

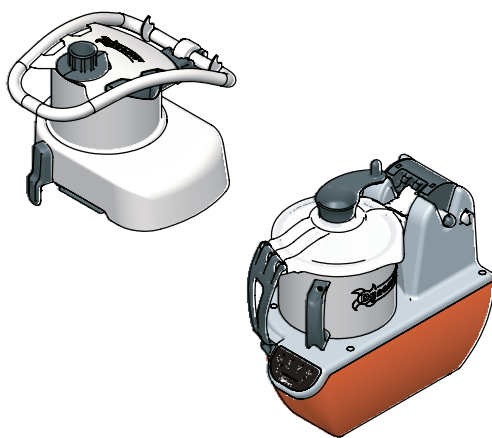
WIDTH	275 mm
HEIGHT	510 mm
DEPTH	505 mm

### ELECTRICAL FEATURES

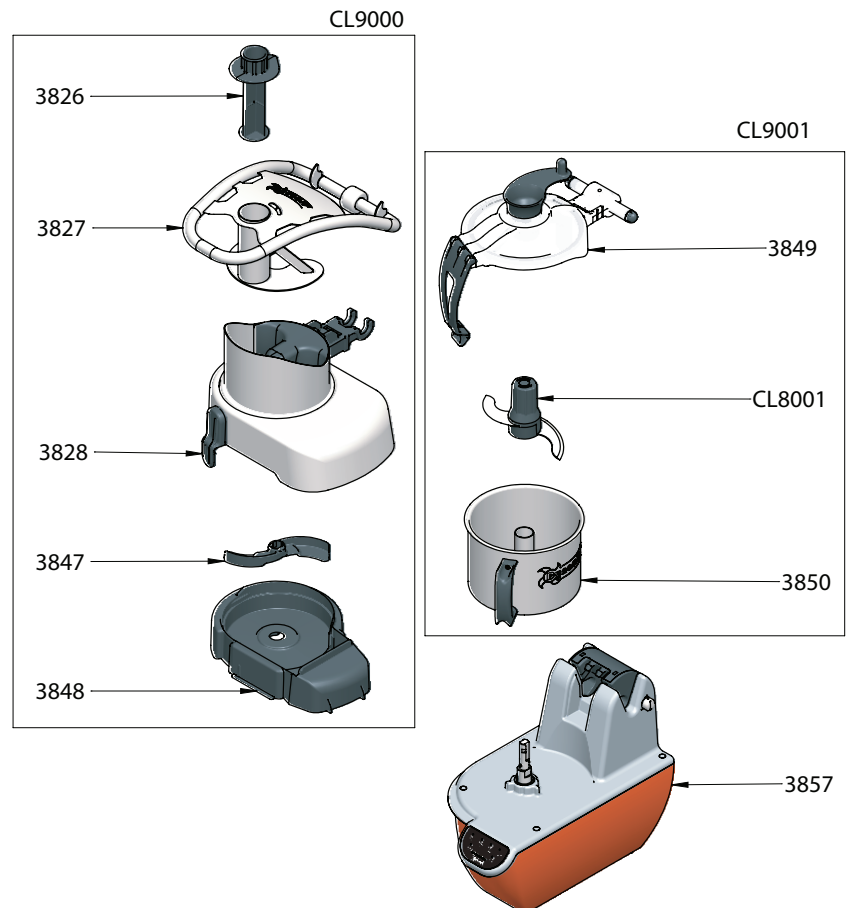
VOLTAGE	220 - 240 V / 50 - 60 Hz
POWER	1100 W

### FOOD PROCESSOR CAPACITY

RATED CAPACITY	5.4 Litres
OPERATING CAPACITY	4.3 Litres



FULLY DISASSEMBLED DEVICE





21-23 AGOSTA DRIVE,  
LAVERTON NORTH, VIC 3026

MELBOURNE | SYDNEY | BRISBANE | PERTH | AUCKLAND

E: [sales@fsm-pl.com.au](mailto:sales@fsm-pl.com.au) W: [www.fsm-pl.com.au](http://www.fsm-pl.com.au) P: 03 9368 2300