



Project \_\_\_\_\_

Item # \_\_\_\_\_

Quantity \_\_\_\_\_

## Panini Grills

Models: PG14G-1  
PG14F-1  
PG14FG-1

The Hatco Panini Grill is designed to help you expand your menu and boost your sales. It features grooved or flat surfaces to accommodate all your grilling needs, making it perfect for preparing a variety of dishes, from sandwiches and quesadillas to chicken and steak. With this versatile grill, you can easily cook a wide range of items right on your countertop, eliminating the need for a dedicated grill space. The digital controls for time and temperature make it simple to use, making it a fantastic addition to any kitchen setup.

### Standard features

- Adjustable time/temperature controls allow the operator to set the precise temperature for the right amount of time
- Exclusive heating elements provide exceptional heat distribution throughout the entire grill plate (top and bottom), ensuring even cooking
- Compact design is suitable for any location, and the easy-to-clean stainless steel frame and aluminum grill plates provide durability
- Self-adjusting top grill plate has the ability to grill food products of different thickness and size. Maximum product thickness is 3" (75 mm)
- Maximum temperature of 500°F (260°C)
- Comes with a scraper and removable grease trough for easy clean up between uses



### Accessories

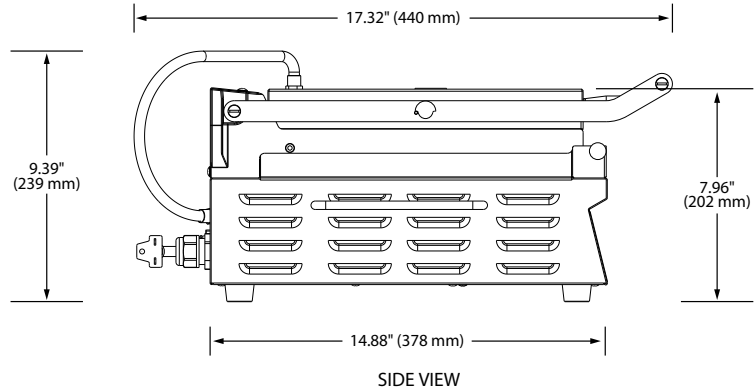
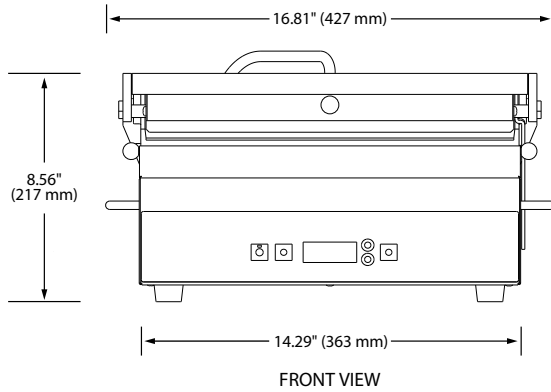
- Scraper



# Panini Grills

Models: PG14G-1 ; PG14F-1 ; PG14FG-1

PG14G-1  
PG14F-1  
PG14FG-1



## SPECIFICATIONS

Panini Grills

The shaded areas contain electrical information for International models

Model	Plate Description		Dimensions (W x D x H)	Voltage	Watts	Amps	Hz	Plug	Approx. Ship Weight
	Bottom Plate	Top Plate							
PG14G-1	Grooved	Grooved	16.81 " x 17.32 " x 8.56 " (427 x 440 x 217 mm)	120	1800	15	50-60	NEMA 5-15P or NEMA 5-20P *	23 lbs. (11 kg)
PG14F-1	Flat	Flat		220-240	1610-1920	7.3-8	50-60	Schuko, BS-1363, AS3112 and CCC	
PG14FG-1	Flat	Grooved		220/60	1610	7.3	50-60	BS	

\* Canadian models use NEMA 5-20P.

## CORD LOCATION

Back of unit bottom left-hand side.

## PLUG CONFIGURATIONS

